

## HI-SPOT RefLED ES50 Dimmable Series

The New Generation Spotlight Solution

### FEATURES

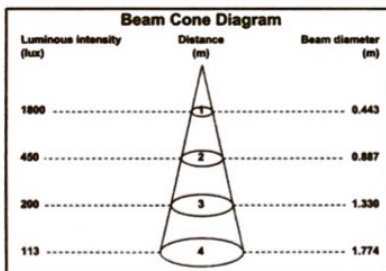
- Total luminous flux up to 500lm, equivalent to 65W halogen
- Up to 85% energy savings
- Beam angle of 25° and 40°
- Available in 2700K (white comfort), 3000K (warm white) and 4000K (cool white)
- Increased to 63 lm / W luminous efficiency
- Lifespan 25,000 hours (L70F50) Power factor of 0.8
- Compatible with common leading edge dimmers for home and commercial application



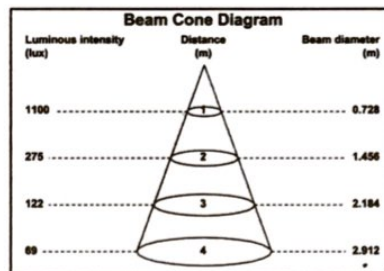
Code	General description	Base	Voltage (V)	Colour in (Kelvin) (K)	Watt (W)	Total Luminous Flux (Lm)	Equivalent wattage (lm/W)	Candela (cd)	Beam (°)	Life (hours)	Energy Class
GZ26775	HI-SPOT RefLED ES50 350LM 2700K 40° Dim	GU10	220-240	2700	6.5	350	54	700	40°	25.000	A+
GZ26776	HI-SPOT RefLED ES50 350LM 3000K 40° Dim	GU10	220-240	3000	6.5	350	54	700	40°	25.000	A+
TBC	HI-SPOT RefLED ES50 500LM 2700K 25° Dim	GU10	220-240	2700	8	500	63	1800	25°	25.000	A+
TBC	HI-SPOT RefLED ES50 500LM 2700K 40° Dim	GU10	220-240	2700	8	500	63	1100	40°	25.000	A+
TBC	HI-SPOT RefLED ES50 500LM 3000K 25° Dim	GU10	220-240	3000	8	500	63	1800	25°	25.000	A+
TBC	HI-SPOT RefLED ES50 500LM 3000K 40° Dim	GU10	220-240	3000	8	500	63	1100	40°	25.000	A+
TBC	HI-SPOT RefLED ES50 500LM 4000K 25° Dim	GU10	220-240	4000	8	500	63	1800	25°	25.000	A+
TBC	HI-SPOT RefLED ES50 500LM 4000K 40° Dim	GU10	220-240	4000	8	500	63	1100	40°	25.000	A+

### LUMINOUS DISTRIBUTION

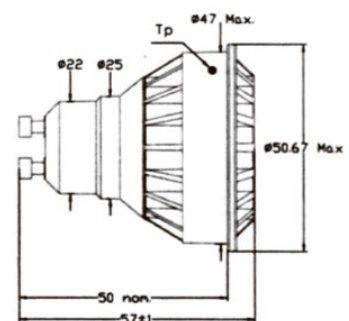
ES50 500LM 8W 25°



ES50 500LM 8W 40°

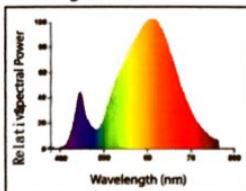


### DIMMENSIONS (MM)

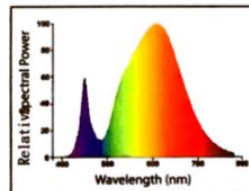


### SPECTRAL DATA

Homelight - 827



Warm White - 830



Cool White - 840

