

MASTER LED Lamps LV

MASTER LED 6.5-50W 3000K 12V MR16 24D



Delivering a warm, halogen/incandescent-like accent beam, MASTER LED lamp is an ideal retrofit solution for spot and general lighting applications in the hospitality industry. It is particularly suited to public areas such as receptions, lobbies, corridors, stairwells and washrooms, where the light is on all the time. The robustly designed MASTER LED has a clearly defined beam spread. There is no UV or IR in the beam, making it suitable for illuminating heat-sensitive objects (food, organic materials, paintings, etc.).

Product data

• General Characteristics

Cap-Base	GU5.3
Bulb	MR16 [MR 16inch/50mm]
Rated Lifetime (hours)	25000 hr

• Light Technical Characteristics

Color Code	WH
Color Designation (text)	White
Beam Angle	24 D
Beam Description	24D [Medium beam]
Correlated Color Temperature	3000 K
Luminous Flux	390 Lm
Luminous Intensity	2030 cd
Color rendering index	80
Luminous Efficacy Lamp	60.00 Lm/W
Color Temperature	3000 K [CCT 3000K]
Rated Luminous Flux	390 Lm
LLMF - end nominal lifetime	70 %
Colour consistency	6 steps
Rated Beam Angle	24 D

• Electrical Characteristics

Wattage	6.5 W
Wattage Technical	6.5 W
Voltage	12 V
Line Frequency	50-60 Hz
Power Factor	0.7 -
Lamp Current mA	671 mA
Dimmable	No

Wattage Equivalent	50 W
Rated Wattage	6.5 W
Starting Time	0.5 (max) s
Warm-up Time to 60% Light Outp	instant full light
Suitable for accent lighting	Yes

• Temperature Characteristics

• Environmental characteristics

Energy Efficiency Label (EEL)	A
-------------------------------	---

• Measuring Conditions

Switching cycle	50000X
-----------------	--------

• Product Dimensions

Overall Length C	47.8 mm
Diameter D	49.9 mm

• Product Data

Order code	929000218110
Full product code	929000218110
Full product name	MASTER LED 6.5-50W 3000K 12V MR16 24D
Order product name	MASTER LED 6.5-50W 3000K 12V MR16 24D
Pieces per pack	1
Packing configuration	10
Packs per outerbox	10



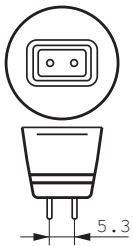
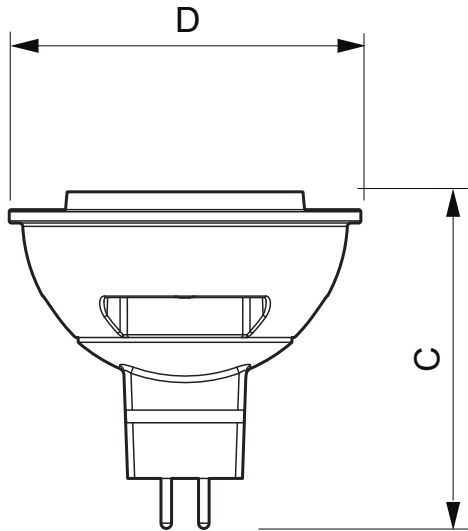
PHILIPS

MASTER LED Lamps LV

Bar code on pack - EAN1 6923410799699
Bar code on outerbox - EAN3 6923410799903

Logistic code(s) - 12NC 929000218110
Net weight per piece 0.049 kg

Dimensional drawing



GU5.3

MASTER LED 6.5-50W 3000K 12V MR16 24D

Product	C (Norm)	D (Norm)
LED 6.5-50W 3000K 12V MR16 24D	47.8	49.9



© 2014 Koninklijke Philips N.V. (Royal Philips)
All rights reserved.

Specifications are subject to change without notice. Trademarks are the property of Koninklijke Philips N.V. (Royal Philips) or their respective owners.

www.philips.com/lighting

2014, September 4
data subject to change