

# MASTER LED Lamps LV

## MASTER LED 5.5-35W 2700K 12V MR16 36D



Delivering a warm, halogen/incandescent-like accent beam, MASTER LED lamp is an ideal retrofit solution for spot and general lighting applications in the hospitality industry. It is particularly suited to public areas such as receptions, lobbies, corridors, stairwells and washrooms, where the light is on all the time. The robustly designed MASTER LED has a clearly defined beam spread. There is no UV or IR in the beam, making it suitable for illuminating heat-sensitive objects (food, organic materials, paintings, etc.).

### Product data

#### • General Characteristics

Cap-Base	GU5.3
Bulb	MR16 [MR 16inch/50mm]
Rated Lifetime (hours)	25000 hr

#### • Light Technical Characteristics

Color Code	WW
Color Designation (text)	Warm White
Beam Angle	36 D
Beam Description	36D [Medium beam]
Correlated Color Temperature	2700 K
Luminous Flux	300 Lm
Luminous Intensity	1000 cd
Color rendering index	80
Luminous Efficacy Lamp	54.55 Lm/W
Color Temperature	2700 K [CCT 2700K]
Rated Luminous Flux	300 Lm
LLMF - end nominal lifetime	70 %
Colour consistency	6 steps
Rated Beam Angle	36 D

#### • Electrical Characteristics

Wattage	5.5 W
Wattage Technical	5.5 W
Voltage	12 V
Line Frequency	50-60 Hz
Power Factor	0.7 -
Lamp Current mA	567 mA
Dimmable	No

Wattage Equivalent	35 W
Rated Wattage	5.5 W
Starting Time	0.5 (max) s
Warm-up Time to 60% Light Outp	instant full light
Suitable for accent lighting	Yes

#### • Temperature Characteristics

#### • Environmental characteristics

Energy Efficiency Label (EEL)	A
-------------------------------	---

#### • Measuring Conditions

Switching cycle	50000X
-----------------	--------

#### • Product Dimensions

Overall Length C	47.8 mm
Diameter D	49.9 mm

#### • Product Data

Order code	929000225708
Full product code	929000225708
Full product name	MASTER LED 5.5-35W 2700K 12V MR16 36D
Order product name	MASTER LED 5.5-35W 2700K 12V MR16 36D
Pieces per pack	1
Packing configuration	10
Packs per outerbox	10



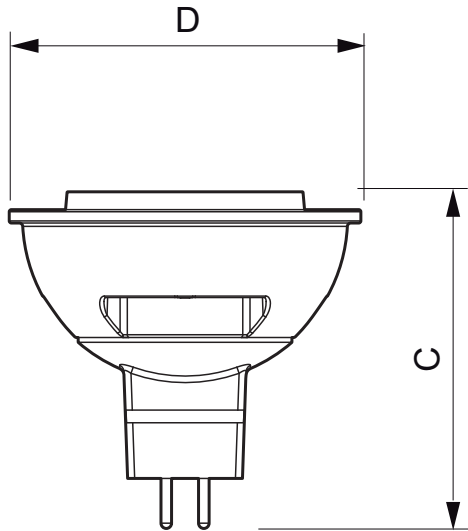
# PHILIPS

# MASTER LED Lamps LV

Bar code on pack - EAN1 8718291211808  
Bar code on outerbox - EAN3 8718291211815

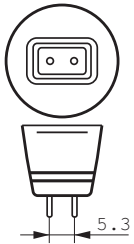
Logistic code(s) - 929000225708  
12NC  
Net weight per piece 0.046 kg

## Dimensional drawing



### MASTER LED 5.5-35W 2700K 12V MR16 36D

Product	C (Norm)	D (Norm)
LED 5.5-35W 2700K 12V MR16 36D	47.8	49.9



GU5.3



© 2014 Koninklijke Philips N.V. (Royal Philips)  
All rights reserved.

Specifications are subject to change without notice. Trademarks are the property of Koninklijke Philips N.V. (Royal Philips) or their respective owners.

[www.philips.com/lighting](http://www.philips.com/lighting)

2014, September 4  
data subject to change