

MASTER LED Lamps LV

MASTER LED 6.5-50W 2700K 12V MR16 24D



Delivering a warm, halogen/incandescent-like accent beam, MASTER LED lamp is an ideal retrofit solution for spot and general lighting applications in the hospitality industry. It is particularly suited to public areas such as receptions, lobbies, corridors, stairwells and washrooms, where the light is on all the time. The robustly designed MASTER LED has a clearly defined beam spread. There is no UV or IR in the beam, making it suitable for illuminating heat-sensitive objects (food, organic materials, paintings, etc.).

Product data

• General Characteristics

Cap-Base	GU5.3
Bulb	MR16 [MR 16inch/50mm]
Rated Lifetime (hours)	25000 hr

• Light Technical Characteristics

Color Code	WW
Color Designation (text)	Warm White
Beam Angle	24 D
Beam Description	24D [Medium beam]
Correlated Color Temperature	2700 K
Luminous Flux	380 Lm
Luminous Intensity	2000 cd
Color rendering index	80
Luminous Efficacy Lamp	58.46 Lm/W
Color Temperature	2700 K [CCT 2700K]
Rated Luminous Flux	380 Lm
LLMF - end nominal lifetime	70 %
Colour consistency	6 steps
Rated Beam Angle	24 D

• Electrical Characteristics

Wattage	6.5 W
Wattage Technical	6.5 W
Voltage	12 V
Line Frequency	50-60 Hz
Power Factor	0.7 -
Lamp Current mA	671 mA
Dimmable	No

Wattage Equivalent	50 W
Rated Wattage	6.5 W
Starting Time	0.5 (max) s
Warm-up Time to 60% Light Outp	instant full light
Suitable for accent lighting	Yes

• Temperature Characteristics

• Environmental characteristics

Energy Efficiency Label (EEL)	A
-------------------------------	---

• Measuring Conditions

Switching cycle	50000X
-----------------	--------

• Product Dimensions

Overall Length C	47.8 mm
Diameter D	49.9 mm

• Product Data

Order code	929000218010
Full product code	929000218010
Full product name	MASTER LED 6.5-50W 2700K 12V MR16 24D
Order product name	MASTER LED 6.5-50W 2700K 12V MR16 24D
Pieces per pack	1
Packing configuration	10
Packs per outerbox	10



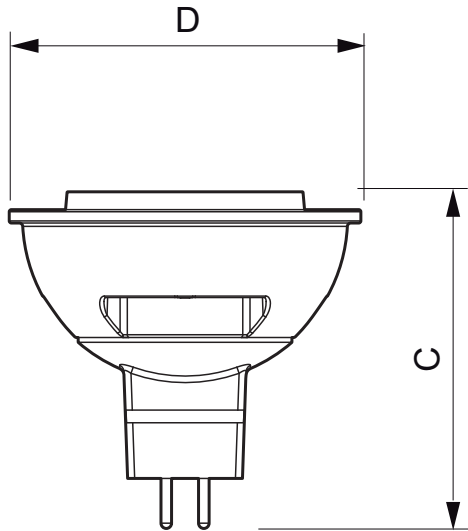
PHILIPS

MASTER LED Lamps LV

Bar code on pack - EAN1 6923410799682
Bar code on outerbox - EAN3 6923410799897

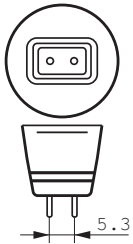
Logistic code(s) - 12NC 929000218010
Net weight per piece 0.049 kg

Dimensional drawing



MASTER LED 6.5-50W 2700K 12V MR16 24D

Product	C (Norm)	D (Norm)
LED 6.5-50W 2700K 12V MR16 24D	47.8	49.9



GU5.3



© 2014 Koninklijke Philips N.V. (Royal Philips)
All rights reserved.

Specifications are subject to change without notice. Trademarks are the property of Koninklijke Philips N.V. (Royal Philips) or their respective owners.

www.philips.com/lighting

2014, September 4
data subject to change