

SABA PENDANT

SKU# 020340, 020341, 020342, 020343, 020344, 020345

Rated Voltage 220-240V~ 50Hz

Thank you for purchasing this quality Lucci product. To ensure correct function and safety, please read and follow all instructions carefully before using the product. Please keep instructions for future reference.

Warranty

- This light fitting is covered by 3 years warranty. Please retain proof of purchase and evidence of installation by a licensed electrician.
- Warranty will be void if there is any damage due to improper usage or modification to the fitting.

Installation requirements

- Must be installed by a licensed electrician.
- All wiring and installation of the light fitting must adhere to local and national wiring rules. eg. AS/NZS 3000:2007/Amendment 2:2012 Electrical installations.
- Select a suitable location for installation;
 - This product is suitable for indoor use only.
 - Ensure the fitting is not installed next to any air vents and is not in any moist or damp areas.
 - The mounting point must support 2 times the weight of the fitting.
- This fitting is dimmable and has been tested with the Clipsal 32E450TM, 32E450UDM, 32E450LM, HPM CAT400L and LUCCI SKU# 290998 dimmer.

NOTE: For the best dimming range use with the LUCCI SKU# 290998 dimmer.

NOTE: The fitting may not be compatible with all types of dimmers. Dimming may cause buzzing sounds or a slight flicker in some instances. This is not a product fault and as such is not covered under warranty.

- Some dimmers have a minimum load of 20W. Before turning on the LED fitting, ensure the dimmer position is on the maximum setting.
- Take care not to pull any electrical wires during unpacking as this may damage the connection.
- Lay out all the components on a smooth surface and make sure there are no components missing before assembling.
- Check whether the fitting has been damaged during transport. Do not install any product which appears damaged in any way. Return the complete product to the place of purchase for inspection, repair or replacement.
- Ensure power to the circuit you are working on has been switched OFF.

Installation directions

1. Remove all packaging material from the product.
2. Remove the mounting bracket (3) from the canopy (6) by loosening the screws (12), and remove the mounting bracket (7) from the hanging screw nut (8) by turning it anticlockwise.
3. Use the mounting brackets (3, 7) as a template to mark the screw positions on the ceiling.
4. Install the mounting bracket (3, 7) onto the ceiling by using appropriately sized mounting screws (2) and anchors (1). Ensure the screws (2) and anchors (1) used are suitable for the mounting surface.
5. Connect the mains supply wire to the light fitting using the terminal blocks (4, 5) provided. Ensure that the wires are secure and no bare wires are exposed.

Mains Supply Wire

Earth – Yellow/Green

Neutral – Blue or Black

Live – Brown or Red

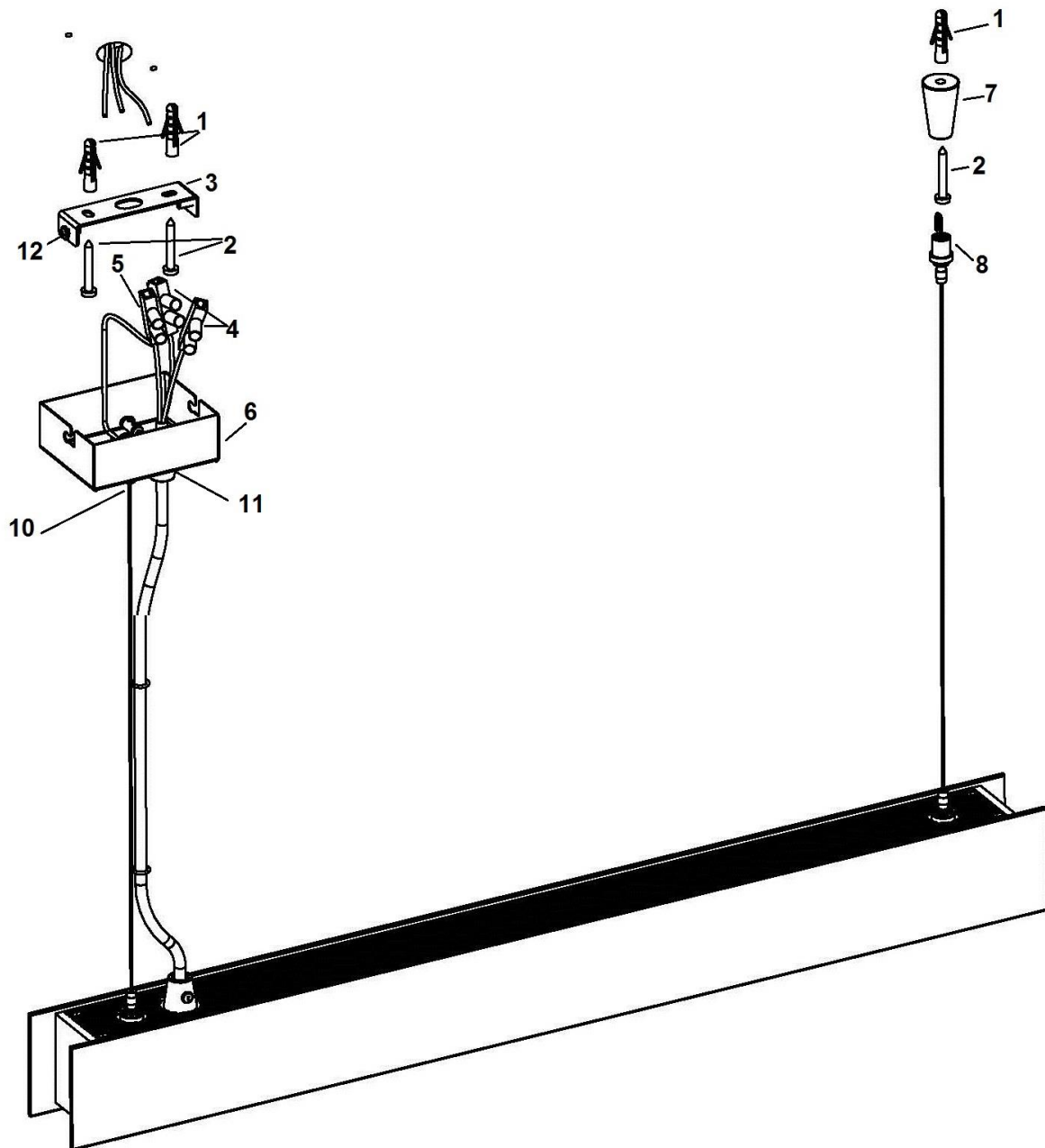
Fitting Wire

Yellow/Green

Blue

Brown

- Put the terminal block (4, 5) back into the canopy (6).
- Attach the canopy (6) onto the mounting bracket (3) and secure it by tightening the screws (12).
- Finally tighten the hanging screw nut (8) to the mounting bracket (7).
- To adjust the length of power cord, pull the wire out from cord anchorage by loosening the screw (11). Pull the steel cord from steel cord anchorage by pressing the nut (10).



Safety tips

- Always ensure the power is OFF and the fitting has cooled down before performing any maintenance, cleaning or adjustment to the fitting.
- To avoid injury or damage to the fitting, ensure that power leads and screws are secure before connecting the power.
- Select a suitable location away from liquids and hazards.
- Ensure that the fitting does not come in contact with corrosive chemicals, etc.
- To clean, wipe with a damp, clean cloth. Never soak the fitting with water.

Specifications

SKU #	020340, 020341, 020342	020343, 020344, 020345
Model #	LD-PENL-024/BK, LD-PENL-024/WH, LD-PENL-024/AL	LD-PENL-025/BK, LD-PENL-025/WH, LD-PENL-025/AL
Rated Voltage	220-240V~ 50Hz	
Rated Wattage	24W	26W
LEDs	3000K, 1200lm	3000K, 1500lm
Weight	1.9kg	2.35kg
Dimensions	L: 900 W:49 H: 62mm, Susp: 2000mm	L: 1200 W:49 H: 62mm, Susp: 2000mm