

MR16/GU10/PAR16

7MR16/F35 4000 DIM AF2 10/1



Philips MR16 Dimmable LED Lamps provide ambient level light to illuminate hard to maintain applications. Increased transformer compatibility allows for operation on a wider range of transformers. Available in dimmable and non-dimmable versions, these lamps are ideal for track and open recessed fixtures in retail, hospitality and residential spaces.

Product data

• General Information

Cap-Base	GU5.3 [GU5.3]
Nominal Lifetime (Nom)	40000 h
Switching Cycle	50000X
Technical Type	7-35W

• Light Technical

Color Code	840 [CCT of 4000K (841)]
Beam Angle (Nom)	36 °
Light Distribution	36D [Medium beam]
Luminous Flux (Nom)	460 lm
Luminous Flux (Rated) (Nom)	460 lm
Luminous Intensity (Nom)	1250 cd
Color Designation	Cool White (CW)
Rated Beam Angle	36 °
Correlated Color Temperature (Nom)	4000 K
Luminous Efficacy (rated) (Nom)	61.00 lm/W
Color Consistency	6 steps
Color Rendering Index (Nom)	80
LLMF At End Of Nominal Lifetime (Nom)	70 %
Luminous Flux In 90° Cone (Rated)	425 lm

• Operating and Electrical

Power (Rated) (Nom)	7 W
---------------------	-----

Lamp Current (Nom)	720 mA
Wattage Equivalent	35 W
Starting Time (Max)	0.5 s
Warm Up Time To 60% Light (Nom)	instant full light
Power Factor (Nom)	0.7
Voltage (Nom)	12 V

• Temperature

T-Case Maximum (Max)	102 °C
T-Case Maximum (Nom)	102 °C

• Controls and Dimming

Dimmable	Yes
----------	-----

• Approval and Application

Suitable For Accent Lighting	Yes
Energy Efficiency Label (EEL)	A
Energy Consumption kWh/1000 h	8 kWh

• Product Data

Order product name	7MR16/F35 4000 DIM AF2 10/1
EAN/UPC - Product	046677457495
Order code	929001153304
Numerator - Quantity Per Pack	1
Numerator - Packs per outer box	10

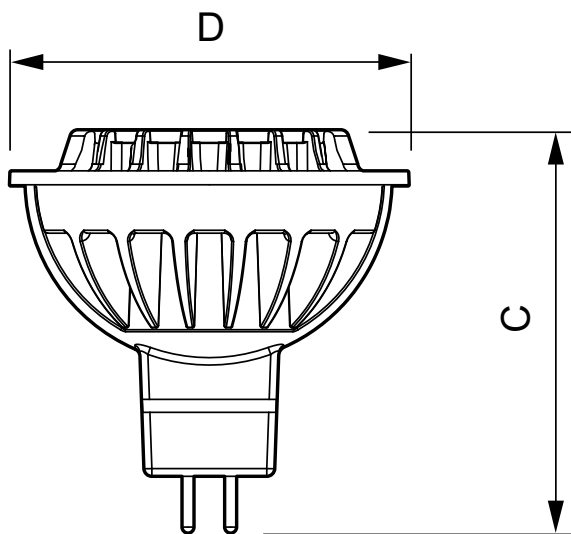
PHILIPS

MR16/GU10/PAR16

Material Nr. (12NC) 929001153304

Net Weight (Piece) 0.045 kg

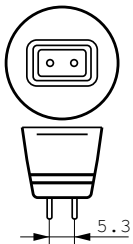
Dimensional drawing



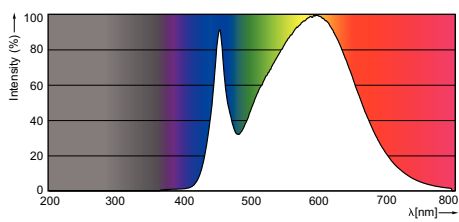
7-35 W GU5.3 MR16

LED D 7-35W 840 MR16 36D

Product	D	C
7MR16/F35 4000 DIM AF2 10/1	50.5 mm	50.5 mm



Photometric data



© 2016 Philips Lighting Holding B.V.
All rights reserved.

Specifications are subject to change without notice. Trademarks are the property of Koninklijke Philips N.V. (Royal Philips) or their respective owners.

www.philips.com/lighting

2016, March 4
data subject to change