



LIGHT·POINT

INSTRUCTION MANUAL

INPUT: 220-240V ~ 50/60Hz CLASS I ⊕	IP54  
LAMP-HOUSE: LED-28x0.3W	
MATERIAL: ALUMINIUM	

INSTALLATION INSTRUCTION

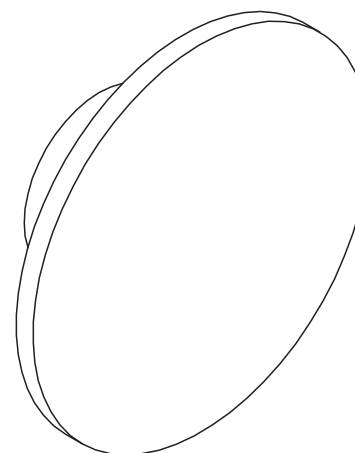
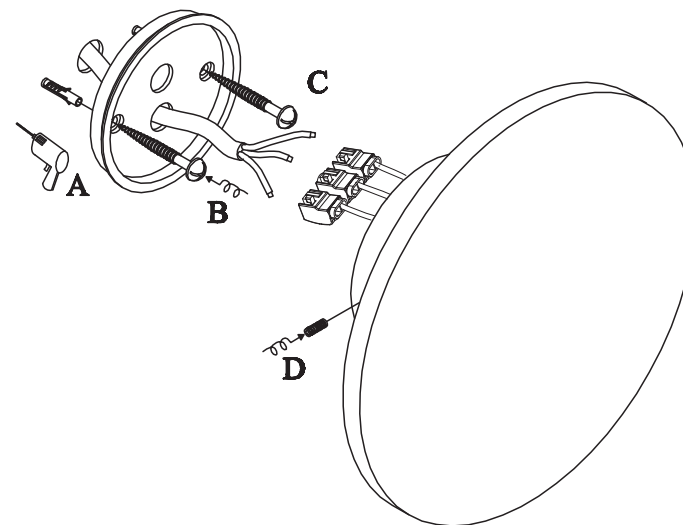
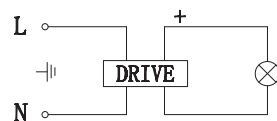
1. Before installing, make sure the power supply is switched off.
2. Follow the steps as the figure for installation or replacement of bulb
Step.
 - A. after holing, pull out the wires.
 - B. fix the mounting bracket onto the wall with screws.
 - C. connect the wires to the terminal block.
 - D. fix the fixture to the mounting bracket with screws.
3. After finishing every step, tighten the screws, have the fixture fixed, and then connect the power supply.

CLEANING INSTRUCTION

1. Before cleaning, ensure that the power supply is switched off.
2. Use only a soft cloth to clean the lamp, dampened with mild cleanser if needed for resistant dirt.
3. Warning: do not use alcohol or other solvents.

CAUTION:

In case of any doubt, please contact the qualified electrician.



256360
256361
256362
256363

NOTE: THIS PRODUCT MUST BE INSTALLED ACCORDING TO LOCAL LAWS AND REGULATIONS!

www.light-point.eu