



MASTER LEDspot LV

MAS LEDspotLV D 8.0-50W 830 MR16 24D

Delivering a warm, halogen-like accent beam, MASTER LEDspot LV is an ideal retrofit solution for spot and general lighting applications in the hospitality industry. It is particularly suited to public areas such as receptions, lobbies, corridors, stairwells and washrooms, where the light is on all the time. The robustly designed MASTER LEDspot offers a choice of beam angles for a clearly defined beam spread. There is no UV or IR in the beam, making it suitable for illuminating heat-sensitive objects (food, organic materials, paintings, etc.). The patented intelligent driver enables broad compatibility with existing electromagnetic and electronic halogen transformers. The dimmable versions drive further efficiencies, while helping to create the desired atmosphere.

Product data

• General Information

Cap-Base	GU5.3 [GU5.3]
Bulb Shape	MR16 [2inch/50mm]
Nominal Lifetime (Nom)	40000 h
Switching Cycle	50000X
Technical Type	8-50W

• Light Technical

Colour Code	830 [CCT of 3000K]
Beam Angle (Nom)	24 °
Light Distribution	24D [Medium beam]
Luminous Flux (Nom)	660 lm
Luminous Flux (Rated) (Nom)	660 lm
Luminous Intensity (Nom)	3250 cd
Colour Designation	White (WH)
Rated Beam Angle	24 °
Colour Temperature, horizontal (Nom)	3000 K
Luminous Efficacy (rated) (Nom)	78 lm/W
Color Consistency	6 steps
Colour Rendering Index horiz (Nom)	80
LLMF At End Of Nominal Lifetime (Nom)	70 %
Luminous Flux In 90° Cone (Rated)	621 lm

• Operating and Electrical

Input Frequency	50 to 60 Hz
Power (Rated) (Nom)	8 W
Lamp Current (Nom)	900 mA
Wattage Equivalent	50 W
Starting Time (Max)	0.5 s
Warm Up Time To 60% Light (Nom)	instant full light
Power Factor (Nom)	0.7
Voltage (Nom)	12 V

• Temperature

T-Case Maximum (Nom)	105 °C
----------------------	--------

• Controls and Dimming

Dimmable	Yes
----------	-----

• Approval and Application

Suitable For Accent Lighting	Yes
Energy Efficiency Label	A+
Energy Consumption kWh/1000 h	9 kWh

PHILIPS

MASTER LEDspot LV

• Product Data

Full product code 871869649001300
Order product name MAS LEDspotLV D 8.0-50W 830 MR16 24D
EAN/UPC - Product 8718696490013
Order code 49001300

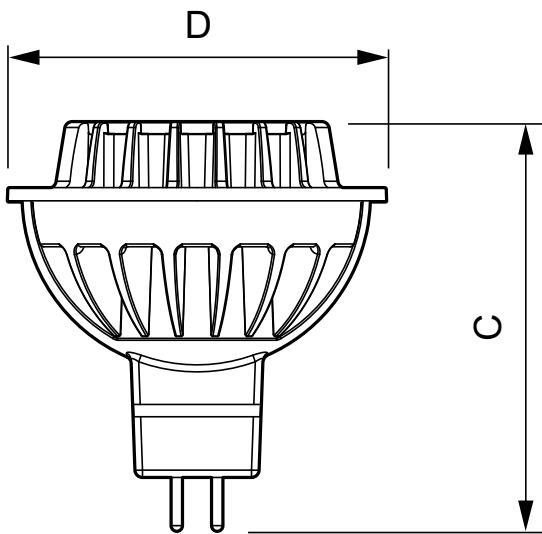
Numerator - 1
Quantity Per Pack
Numerator - Packs 10
per outer box
Material Nr. (12NC) 929001149902
Net Weight (Piece) 0.045 kg

Warnings and Safety

- Operating temperature range is between -20° C and 45° C ambient

- Only to apply in dry or damp locations and most of open fixtures with lamp-holders that offer sufficient space (10 mm free air space)
- Not intended for use with emergency light fixtures or exit lights

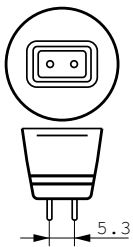
Dimensional drawing



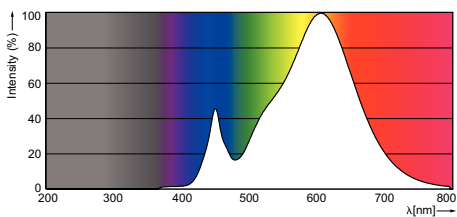
8-50 W GU5.3 MR16

LED D 8-50W 830 MR16 24D

Product	D	C
MAS LEDspotLV D 8.0-50W 830 MR16 24D	51 mm	55 mm



Photometric data





© 2016 Philips Lighting Holding B.V.
All rights reserved.

Specifications are subject to change without notice. Trademarks are the property of Koninklijke Philips N.V. (Royal Philips) or their respective owners.

www.philips.com/lighting

2016, March 18
data subject to change