



SmartBright LED Security Light

BWS220 LED20/CW PSU 100-240V

The SmartBright LED Security light is a PIR motion sensor activated twin head security light. With a wide detection range, brighter light output and instant-on LED technology, you can be assured your property is well lit for visibility at night.

Product data

General Information	
Light source color	865 cool daylight
Light source replaceable	No
Number of gear units	1 unit
Driver included	Yes
Luminaire light beam spread	120°
Connection	Push-in connector 6-pole
Protection class IEC	Safety class I
Flammability mark	For mounting on normally flammable surfaces
CE mark	CE mark
Constant light output	No
Number of products on MCB of 16 A type B	20
Light source engine type	LED
Operating and Electrical	
Input Voltage	100 to 240 V
Input Frequency	50 or 60 Hz
Inrush current	5.25 A
Inrush time	0.0405 ms
Power Factor (Min)	0.9

Controls and Dimming	
Dimmable	No
Mechanical and Housing	
Housing Material	Metal/Plastic
Optical cover/lens material	Polycarbonate
Mounting device	Baseplate
Optical cover/lens shape	Curved
Optical cover/lens finish	Frosted
Overall length	242 mm
Overall width	171 mm
Overall height	168 mm
Approval and Application	
Ingress protection code	IP54 [Dust accumulation-protected, splash-proof]
Mech. impact protection code	IK05 [0.7 J]
Initial Performance (IEC Compliant)	
Initial luminous flux (system flux)	2200 lm
Luminous flux tolerance	+/-10%
Initial LED luminaire efficacy	73 lm/W

SmartBright LED Security Light

Init. Corr. Color Temperature	6500 K
Init. Color Rendering Index	>80
Initial chromaticity	SDCM<7
Initial input power	30 W
Power consumption tolerance	+/-10%

Application Conditions

Ambient temperature range	-20 to +40 °C
Maximum dim level	Not applicable

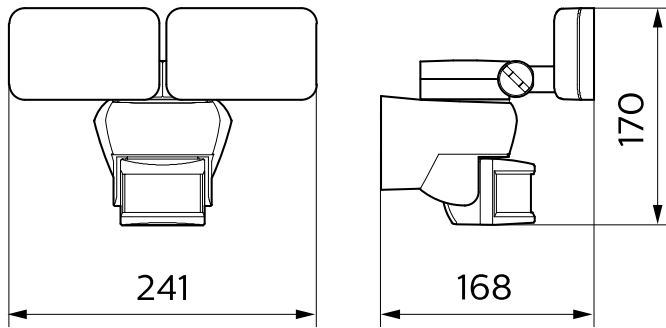
Product Data

Full product code	911401712692
-------------------	--------------

Order product name	BWS220 LED20/CW PSU 100-240V
Order code	911401712692
Numerator - Quantity Per Pack	1
Numerator - Packs per outer box	8
Material Nr. (12NC)	911401712692
Net Weight (Piece)	0.680 kg



Dimensional drawing



BWS220 SmartBright LED

