

# Jeeves Wall

by Jake Phipps



Innermost WEEE  
registration number:  
WEE/FH1713VS

## SAFETY WARNINGS

Installation should only be undertaken by a qualified electrician.

## TECHNICAL INFORMATION

Jeeves wall - G9 MAX 25W (EU/UK)

Recommended bulb: Any G9 LED Bulb up to 500 Lumen output, dimmable, Temperature 2200-2700 Kelvin

## CLEANING AND CARE

Switch off the luminaire before cleaning and relamping.

Care should be taken not to get the hat dirty or scratch the interior of the shade. Use a soft cloth brush for cleaning.

**innermost**

JEEVES WALL

WJ028102



This luminaire is compatible with bulbs of the energy classes:

A<sup>++</sup>

A<sup>+</sup>

A

B

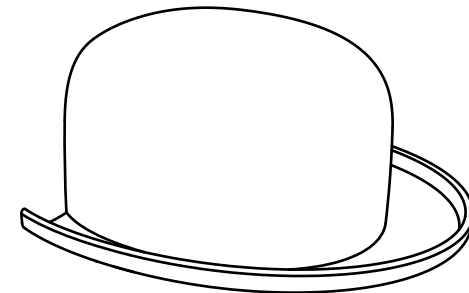
C

D

E



874/2012



INSTALLATION GUIDE FOR:

Jeeves Wall UK/EU - WJ028102

For further information, please  
contact: [info@innermost.net](mailto:info@innermost.net)

[www.innermost.net](http://www.innermost.net)

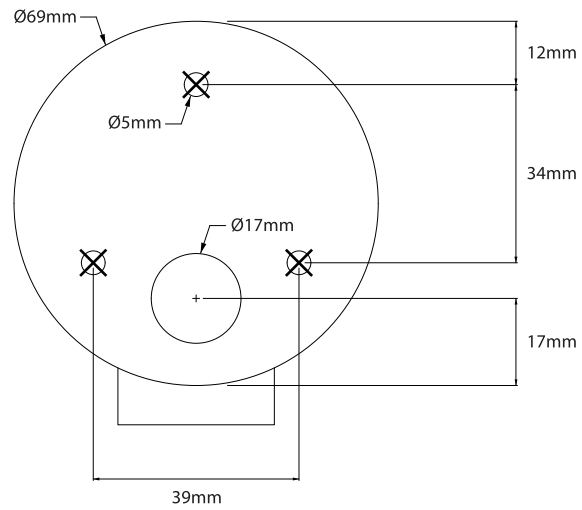
OXO Tower Wharf Bargehouse Street London

**innermost**<sup>®</sup>

# Jeeves Wall

by Jake Phipps

innermost®



## Jeeves Wall

Wall Mount Template

Scale 1:1

X = Screw Hole

innermost  
www.innermost.net

