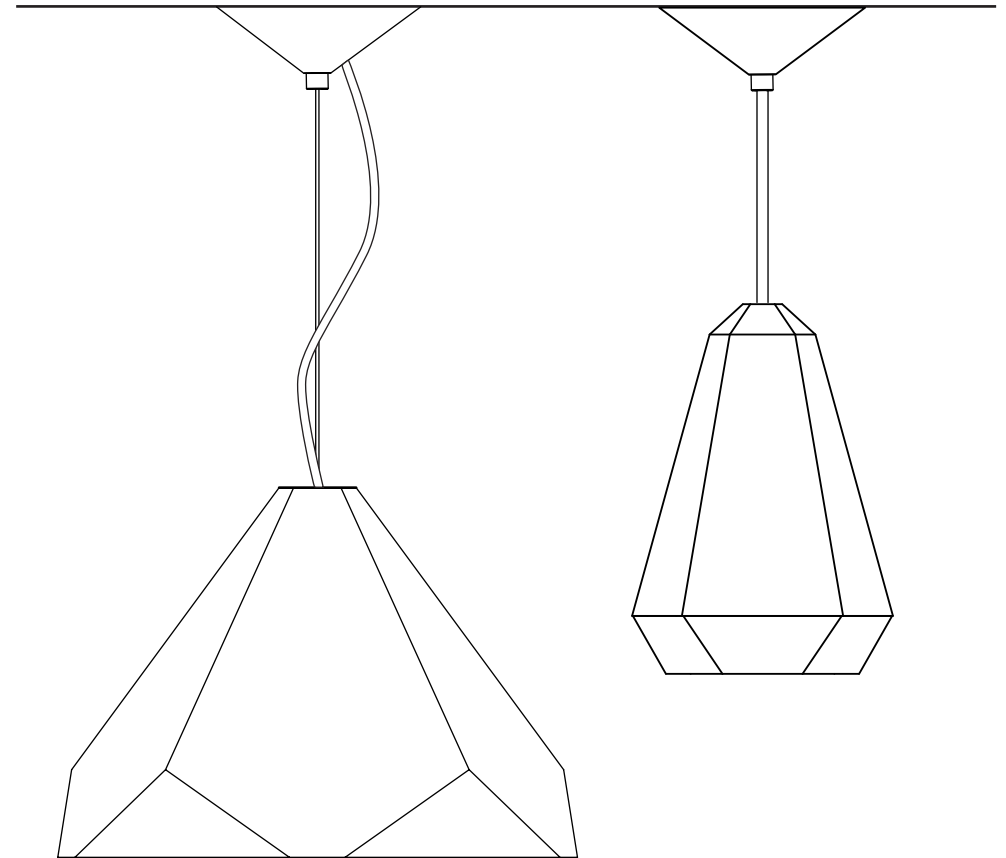


Portland

by James Bartlett



Innermost WEEE
registration number:
WEE/FH1713VS

SAFETY WARNINGS

Installation should only be undertaken by a qualified electrician.

TECHNICAL INFORMATION

Portland 19 - GU10 MAX 25W (EU/UK)

Recommended bulb: Any GU10 LED is suitable for this fitting.

Portland 37 - E27 MAX. 100W (EU/UK)

Innermost recommend LED Globe Bulbs 400 - 1000 Lumen output and from 2700K (for warmer with more colour) up to 6000K (daylight).

CLEANING AND CARE

Due to the pouring method of the concrete, small colour variations and imperfections are common. Clean with non-abrasive cloth to keep your Portland clean.

innermost

PORTLAND

LP0X91XX-XX



This luminaire is compatible with bulbs of the energy classes:



874/2012



For further information, please
contact: info@innermost.net

www.innermost.net

OXO Tower Wharf Bargehouse Street London

INSTALLATION GUIDE FOR :

Portland 19 UK / EU

Portland 37 UK / EU

Portland Plaster 19 UK / EU

White - LP03912001

Red - LP03912008

Aqua - LP03912028

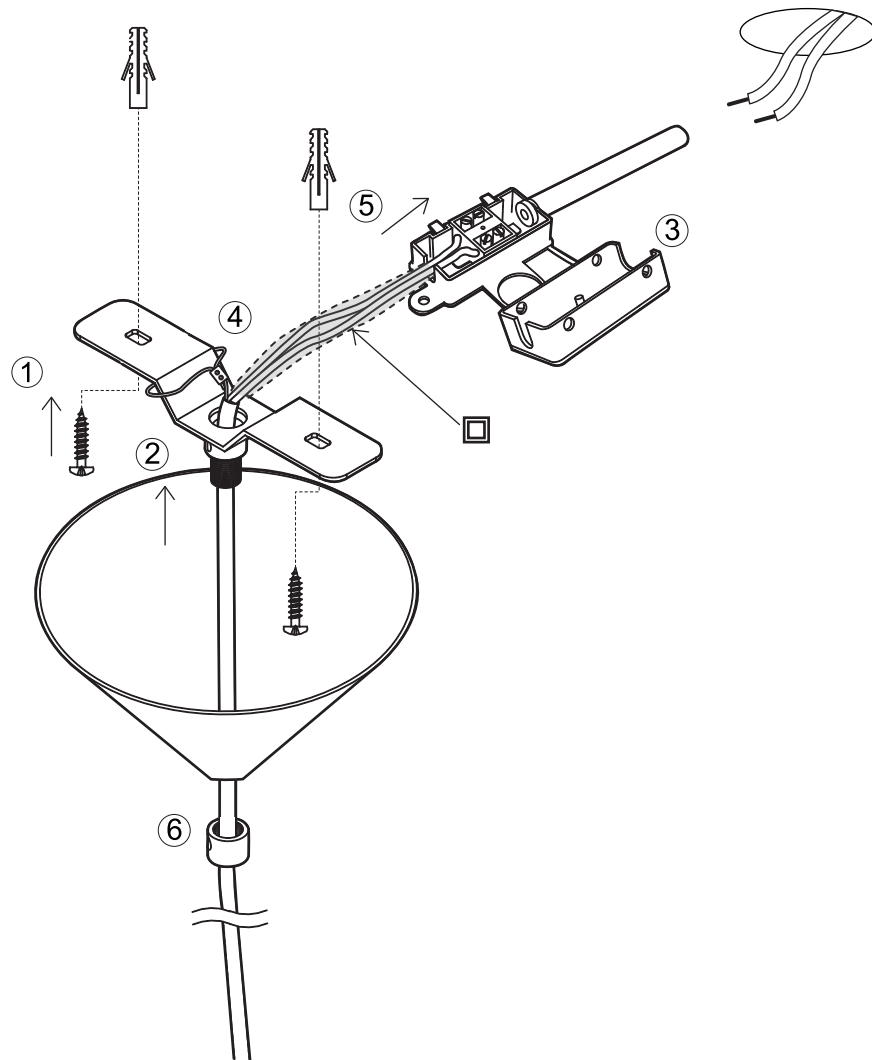
White - LP01913001

Red - LP01913008

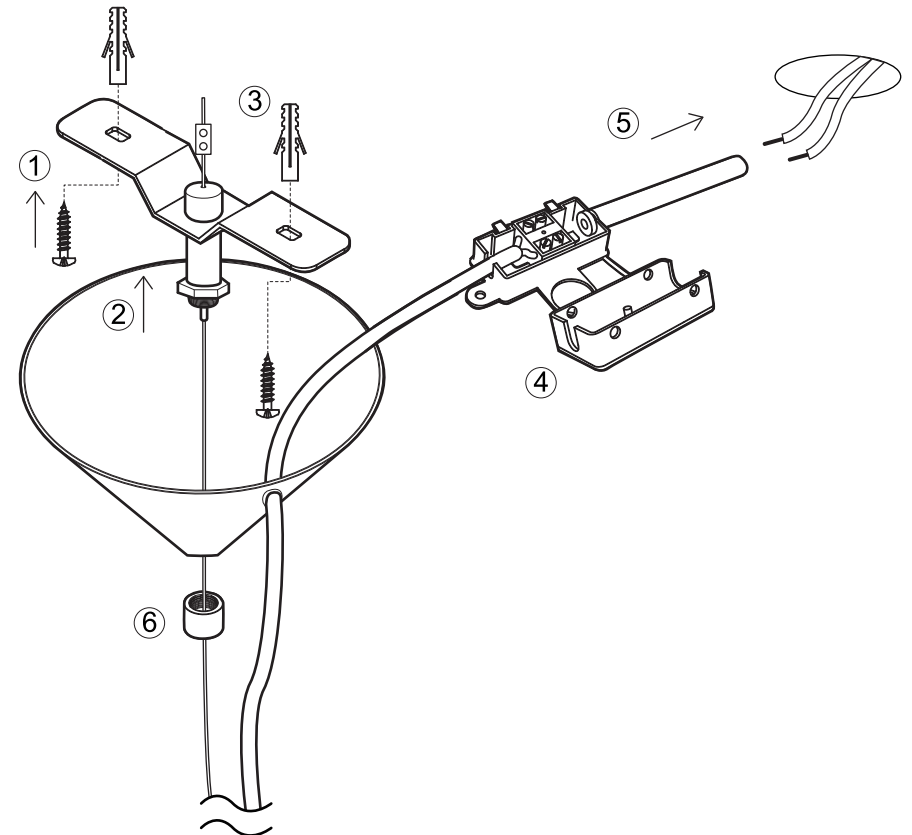
Aqua - LP01913028

White - LP01912001

innermost[®]



Portland 19 EU/UK - LP039120XX
Portland Plaster 19 EU/UK - LP01912001



Portland 37 EU/UK - LP019130XX